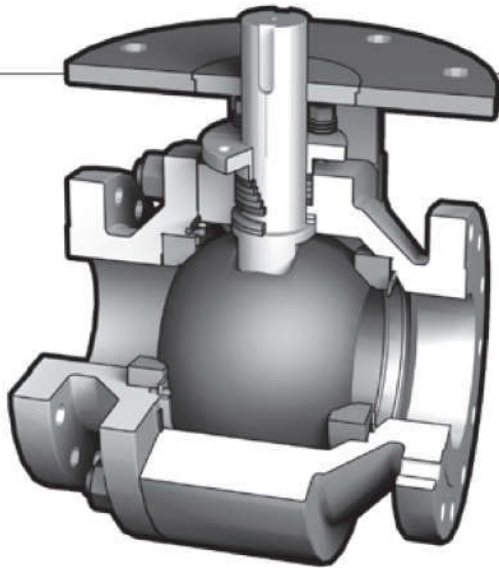


These valves are for on / off isolation, drain or vent service involving high pressure and / or high temperature.

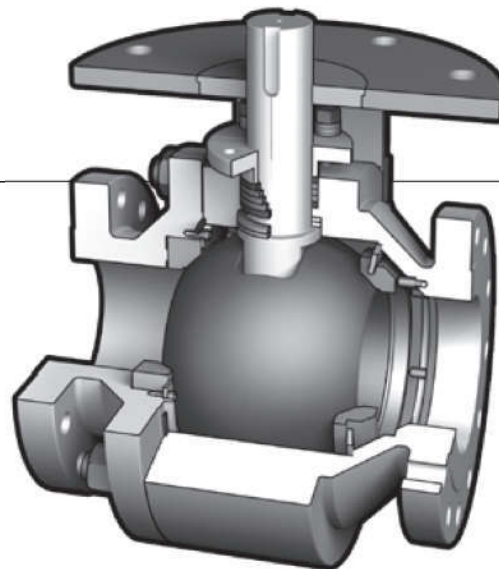


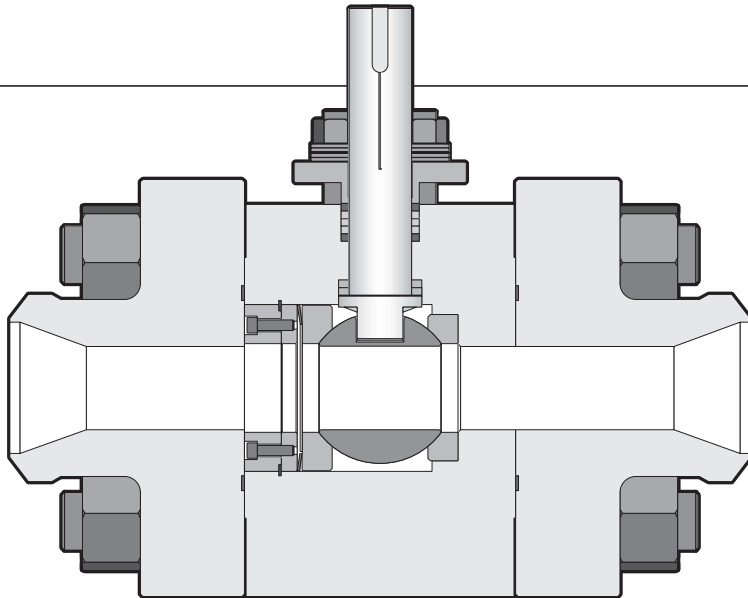
### C-Series Dependable Isolation

- Uni- or bi-directional sealing
- Blowout proof stem
- Two-piece forged body
- ASME 150 – 4500 Class
- Sizes: 1/2 – 36 inch
- Fire tested to API-607 rev. 4
- Floating ball design
- Coated metal sealing surfaces
- Seats protected in open position

### CA-DRI Reliable Service

- Uni-directional sealing
- Upstream seat prevents build-up
- ASME 300 – 2500 Class
- Sizes: 2 – 36 inch
- Coated metal sealing surfaces
- Quarter-turn non-rising stem does not deteriorate packing
- Sealing surfaces not exposed to flow stream
- Recommended in heavy coking or solids handling media
- Reverse pressure seat stops





### SC-3 Piece Flexibility of In-line Repair

- Three-piece valve assembly
- Valve body can be easily removed while end connections remain in-line
- Valve body can be tested after repair, prior to insertion back in-line
- Seats are protected from flow in open / closed position
- Seats are field replaceable
- Floating ball design
- Assisted by line pressure, seats provide a constant mechanical force on ball against seat to maintain seal
- Ball and seats are mate-lapped for 100% sealing contact, ensuring absolute shutoff
- Corrosion resistant
- Quick open / close operation